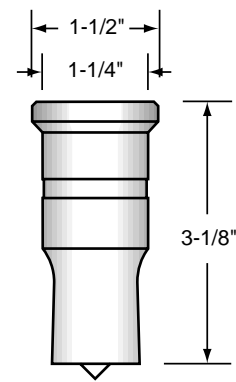
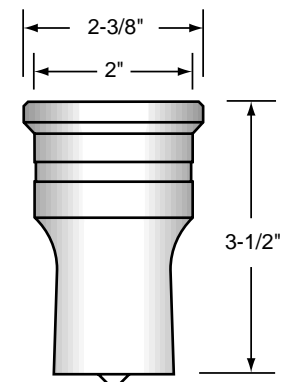


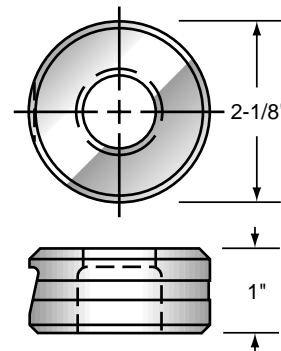
128



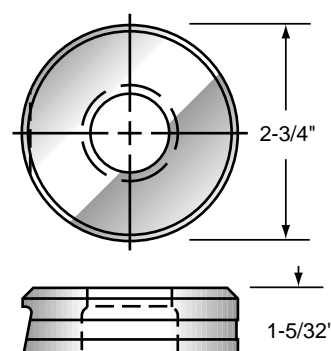
164



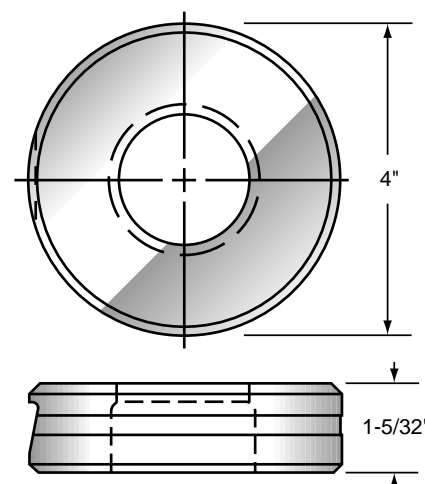
166



347

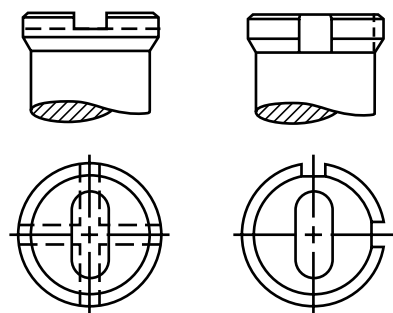


346

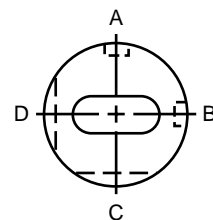


345

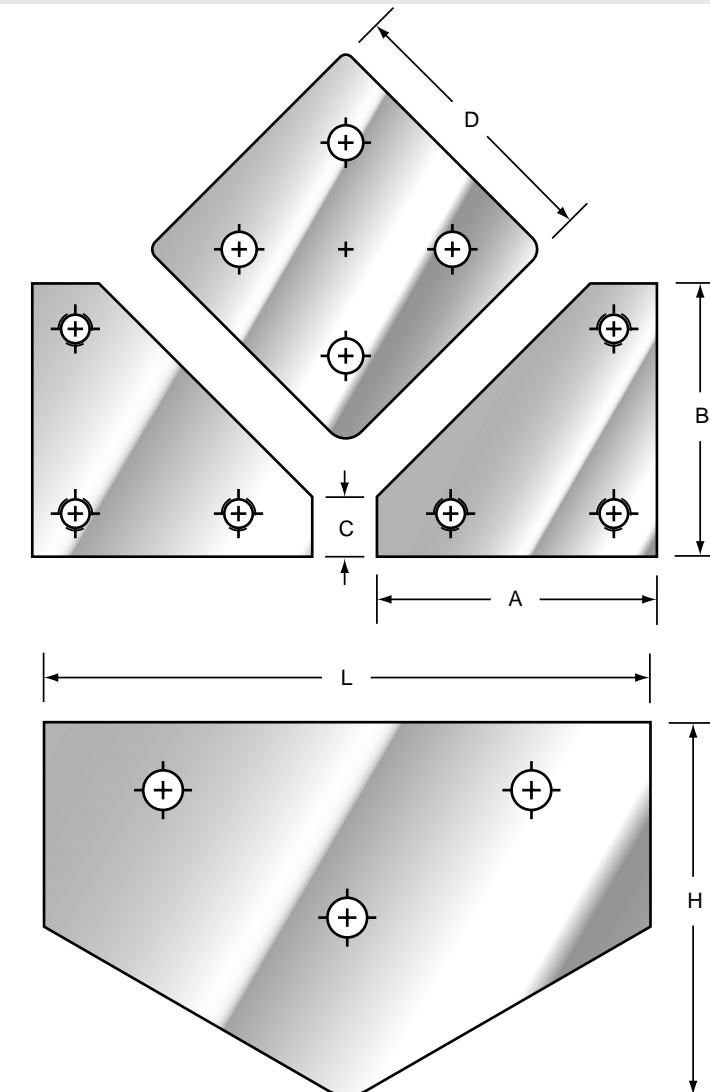
All shaped punches other than round have either top or side keyways.



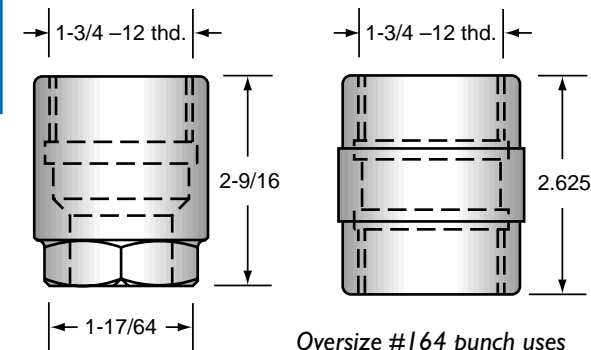
Dies have 2 pin holes and 2 set screw spots.



ANGLE BLADES



COUPLING NUTS/COUPLER



Oversize #164 punch uses #164-C split C-nut - see page 42.

REDUCING SLEEVES

