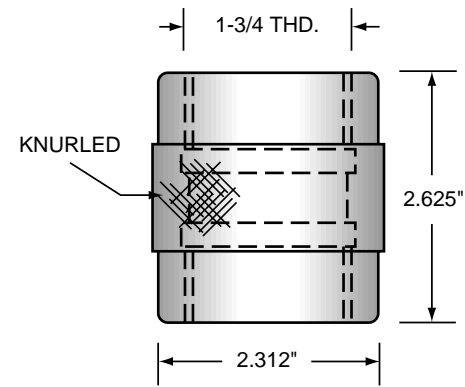
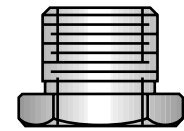


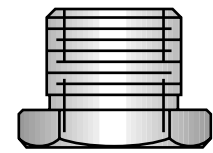
THREADED PUNCH SLEEVE



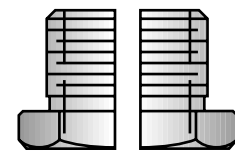
COUPLING NUTS



163-C



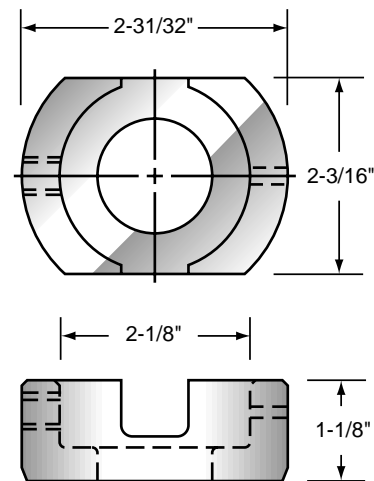
164-C



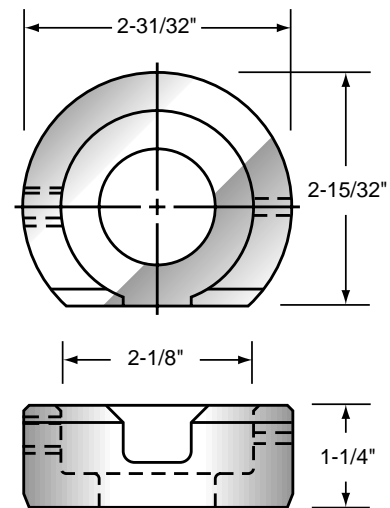
164-C Split

For Oversize Punches

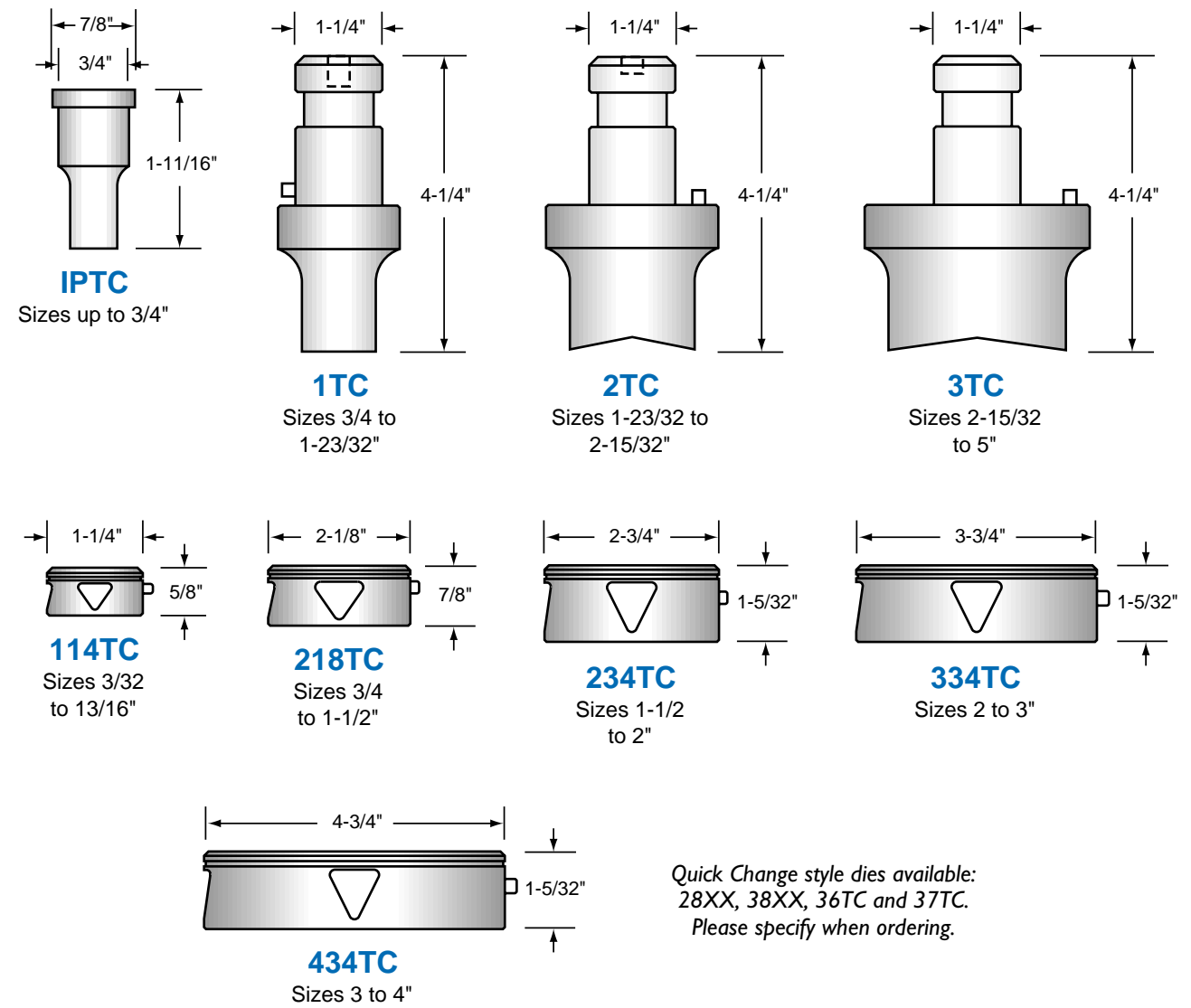
DIE SLEEVES



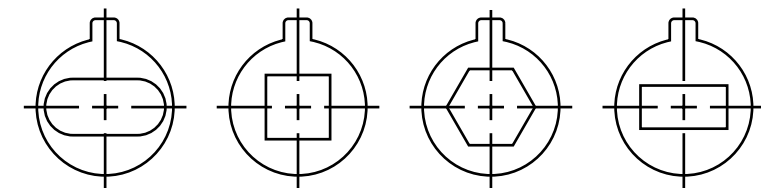
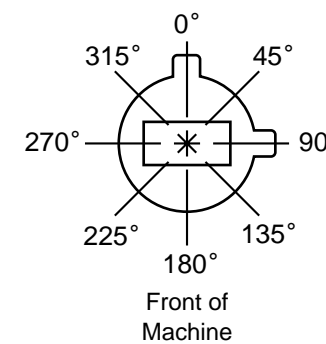
APS-530



APS-531



Shaped punches and dies are furnished with one indexing pin. This allows the tools to be used in either the 0° or 90° position.



All of these shapes are supplied with the pin in this designated position.