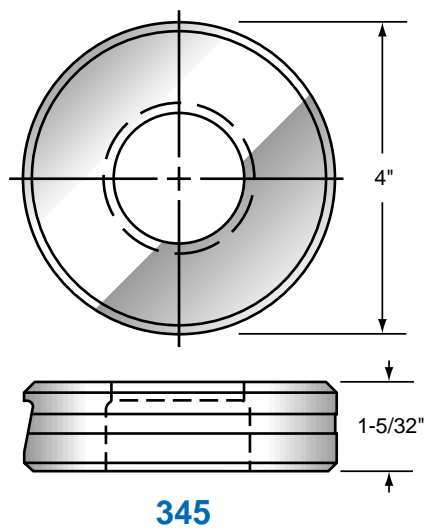


Bevel-corrugated available in all die styles.

Note: two set screw spots and one locating pin supplied on all shapes.

Pin supplied on shapes other than round.



Punch		Die	
#740	= #163	#720	= #348
#770	= #164	#740	= #347
#790XX	= #164XX	#790XX	= #347XX
#750	= #166	#750	= #346
		#760	= #345
		#490	= #347/F45

We recommend a keyway in all shaped punches and set screw spots on all shaped dies.

